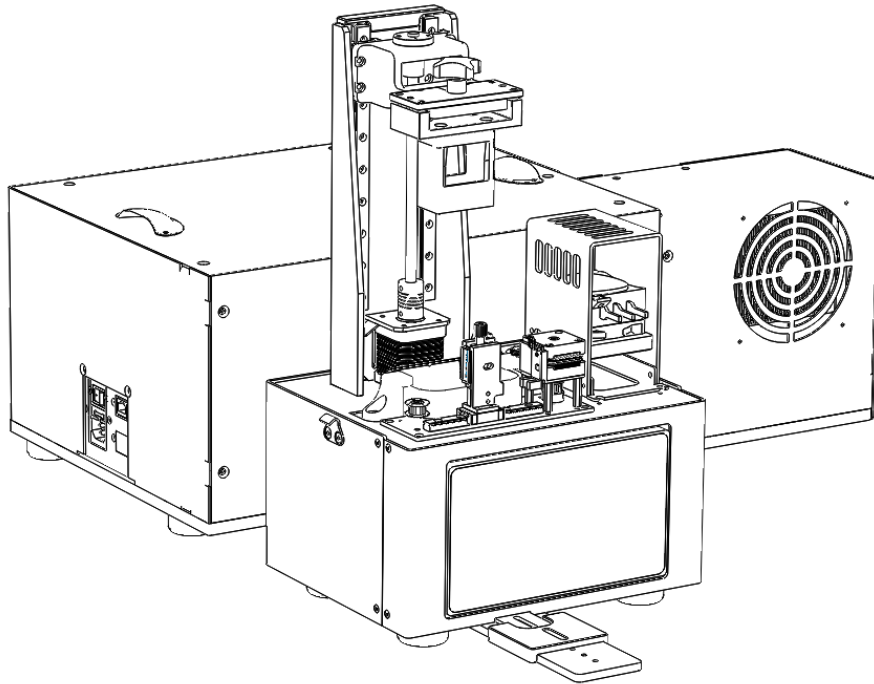


MonoPrinter.com

# MONO3Z2 (2CH) LED Swapping

Rev. 1.1



### Revision History

Rev. 1.0	11-18-2020	Initial draft
Rev. 1.1	08-04-2022	Update based on Mono3Z-V2 design

Please read thoroughly and contact us if you have any further questions or suggestions at [info@monoprinter.com](mailto:info@monoprinter.com)

## 1. LED positions in Mono3Z2 (2CH) printer

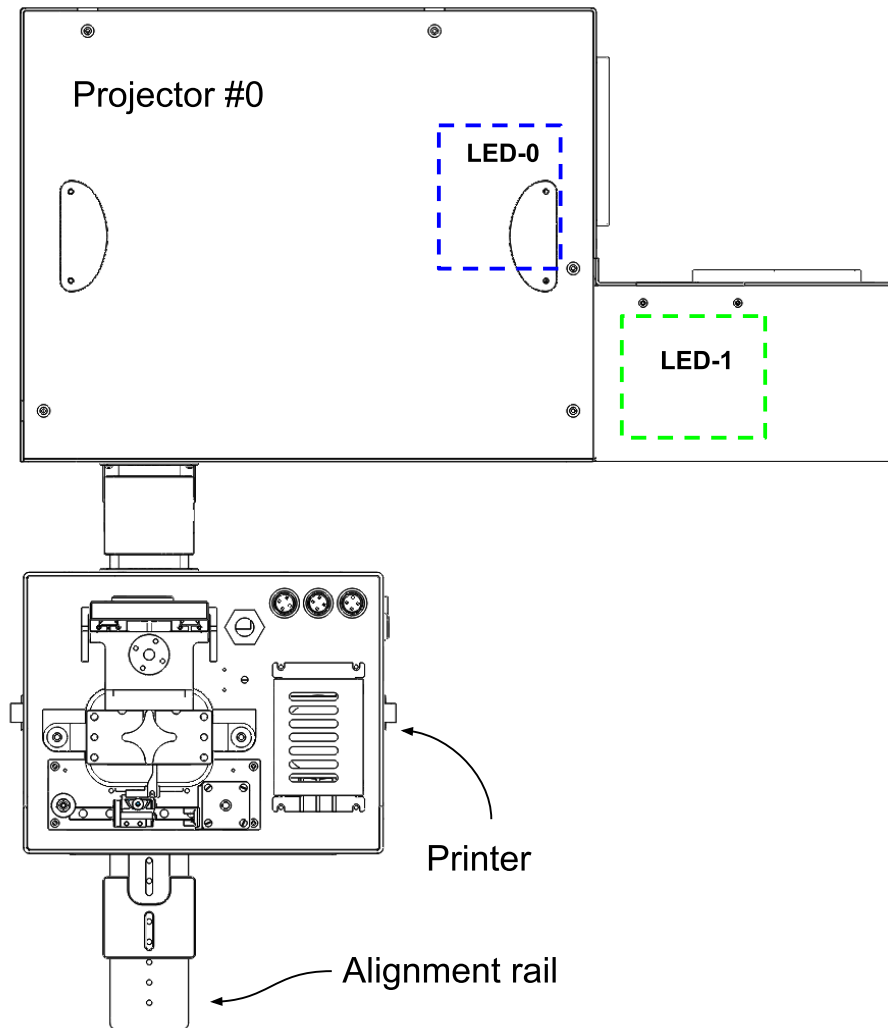


Fig. 1. Diagram of fully assembled 2CH printer

- Figure 1 shows a complete 2CH printer. If you have the 1CH printer, your projector does not have the LED-1.

## 2. Remove a cover for LED-0

- The 2CH printer consists of 3 sub-assembly parts: Projector #0, Printer, and Alignment rail.
- Identify each sub-assembly and check everything is in good condition.

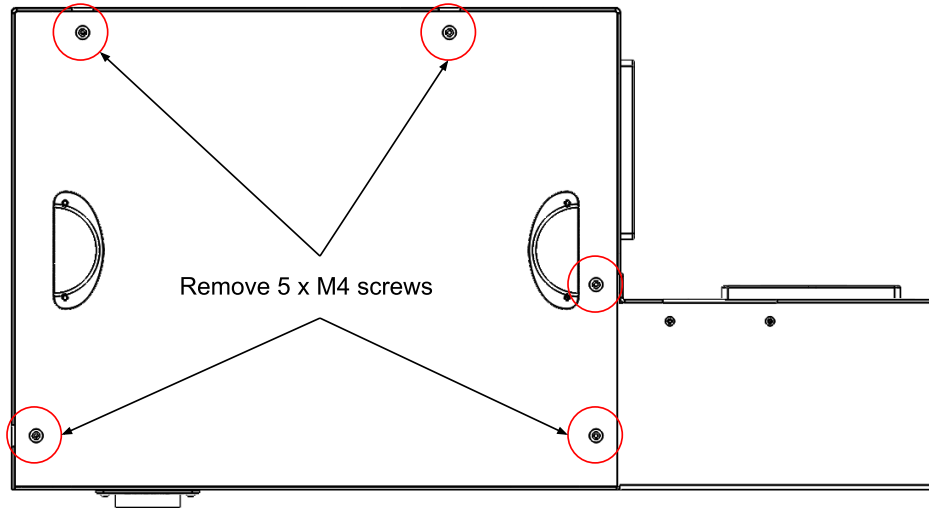


Fig. 2. Cover removal for LED-0 swapping

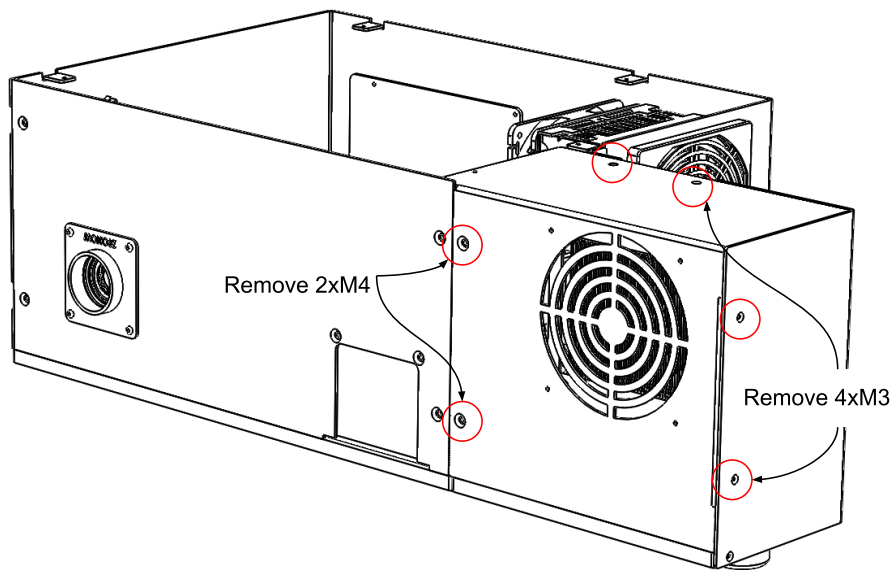


Fig. 3. Cover removal for LED-1 swapping

- If you want to swap LED-0, remove 5 x M4 flat screws as shown in Figure 2.
- If your printer has the second LED (LED-1) and if you want to swap LED-1, you need to open the top cover (Figure 2) and then remove the side cover (Figure 3).

### 3. Remove fan power connectors

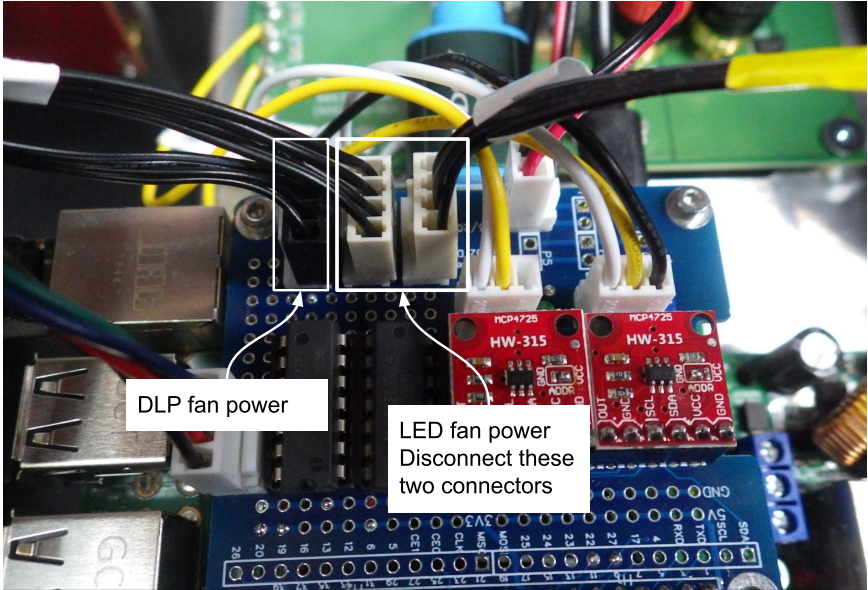


Fig. 4. LED fan connectors

### 4. Remove LED from 60mm cage assembly

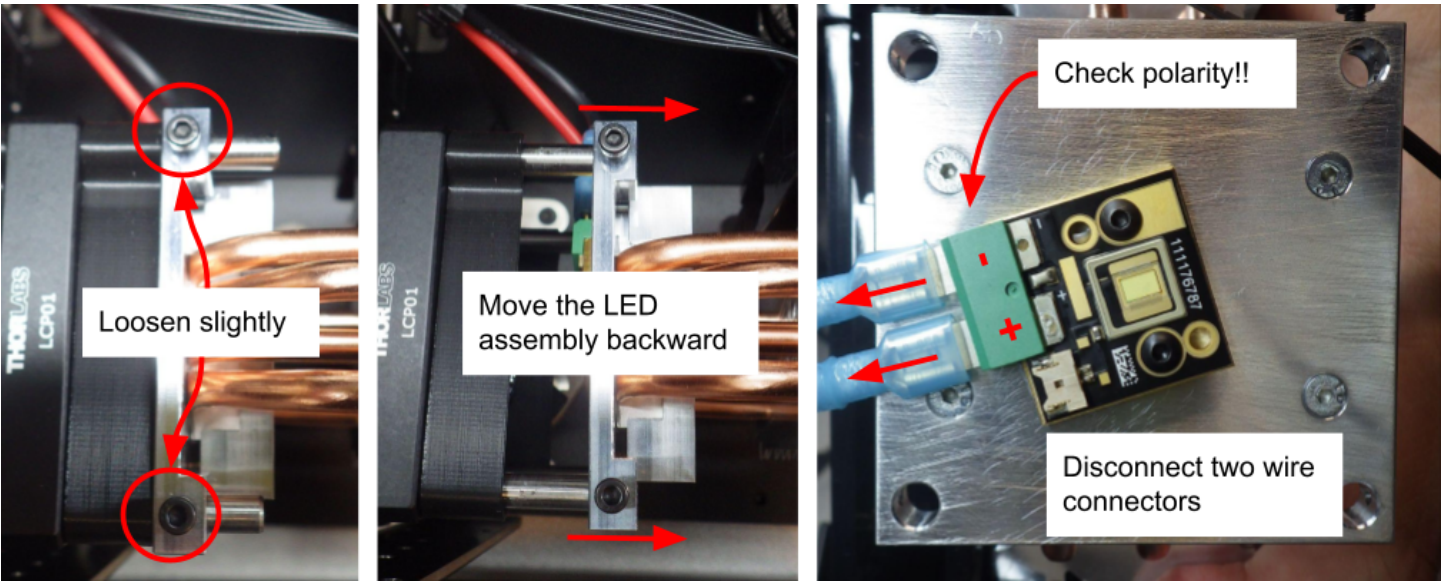


Fig. 5. Process of LED assembly removal

- Slightly loosen two M3 screws that fix the LED position on the 60mm cage assembly
- Move the whole assembly backward. You need to slightly wiggle the assembly to move it.
- After you take the LED assembly from cage rods, disconnect two LED wires.

### 5. Install an LED assembly

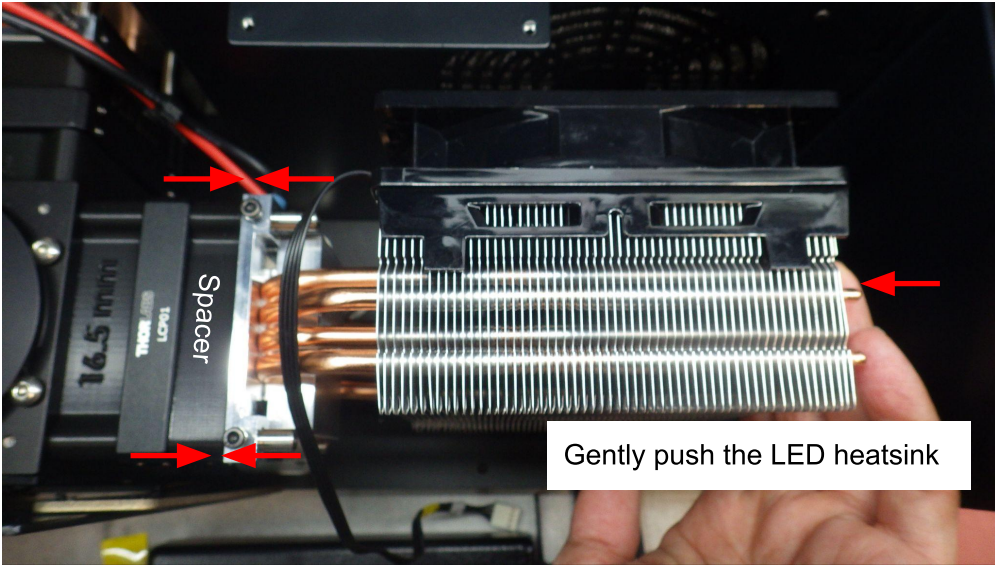


Fig. 6. Installation of a new LED

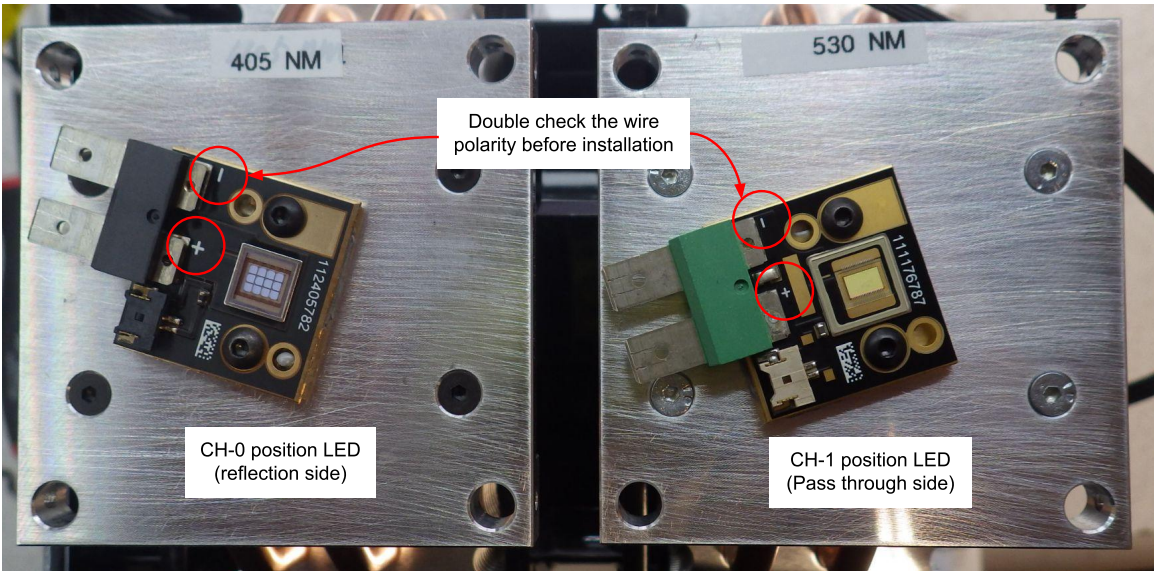


Fig. 7. Two different orientations of LEDs based on a mount position

- Make sure that the LED assembly has a good contact with a spacer (Figure 6).
- LEDs have different orientations according to the mounting location. You can swap the mounting position, but this will cause a reduced printing area.

### 6. Closing remarks.

- If you have any issues during installation, please contact us at [info@monoprinter.com](mailto:info@monoprinter.com)